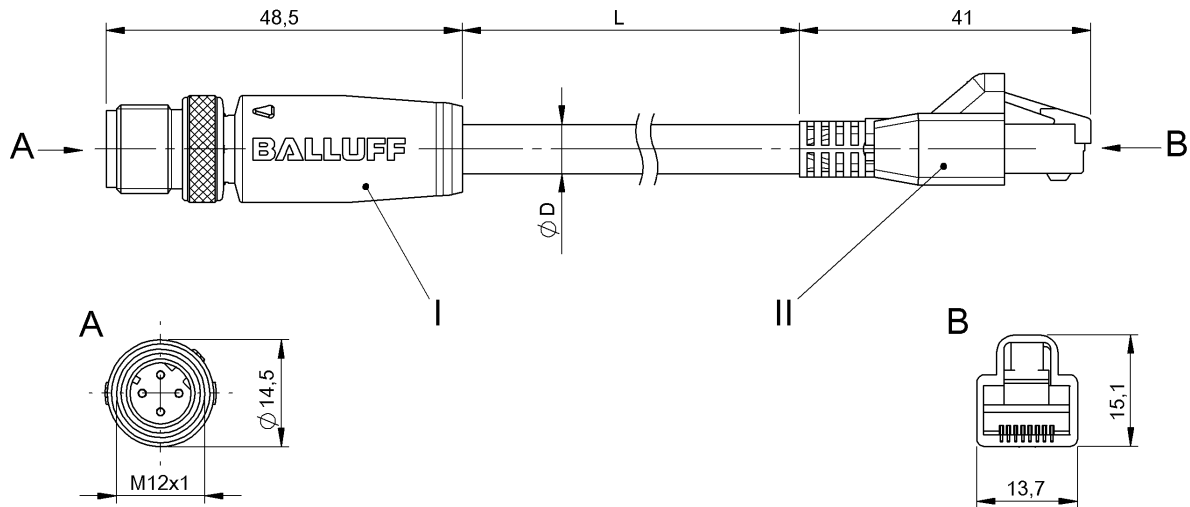


Double-Ended Cordsets  
**BCC M414-E894-8G-672-ES64N9-350**  
 Order Code: BCC0FZZ

**BALLUFF**



**Basic features**

Application	Ethernet, CAT 5
Approval/Conformity	CE cULus WEEE

**Electrical connection**

Bending radius min., flexible cable	10 x D
Cable	TPE Shielded teal, 35 m, drag chain compatible
Cable diameter D	6.10 mm ±0.25 mm
Cable, bending cycles min.	10 mil.
Cable, note	Ethernet, CAT 5E
Conductor cross-section	24 AWG
Connection 1	M12x1-Male, straight, 4-pin, D-coded
Connection 2	RJ45-Male, straight, 4-pin
Number of conductors	4
System	Molded/assembled

**Electrical data**

Cable rated voltage AC max.	600 V
Cable rated voltage DC max.	600 V
Conductor construction	2x2 twisted-pair
Conductor resistance	≤ 26.0 Ohm/1000 ft
Coupling resistance max.	100 Ohm ±15 Ohm
Operating capacitance	13.5 pF/ft
Operating voltage Ub	42 VDC / 30 VAC
Rated current (40 °C)	1.0 A
Transfer rate	10/100 Mbit/s

**Environmental conditions**

Cable temperature, flexible routing	-40...80 °C
IP rating	IP67/IP20

**Material**

Cable jacket material, note	Shielded
Cable jacket, material	TPE
Cable shield	Aluminum foil and copper braid
Material contact carrier	PUR/PBT
Material contacts	Brass/Phosphor bronze, gold plated
Material cover nut	Brass nickel-plated
Material grip	PUR/PVC

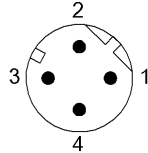
**Mechanical data**

Cable jacket, color	teal
Cable length L	35.00 m
Cable properties	drag chain compatible
Tightening torque pigtail	0.6 Nm/-

Remarks

Cable construction acc. to UL CMX Outdoor or AWM Style 2463  
 Enclosure rating per IEC 60529 or ISO 20653, only in screwed state with the associated mating piece.

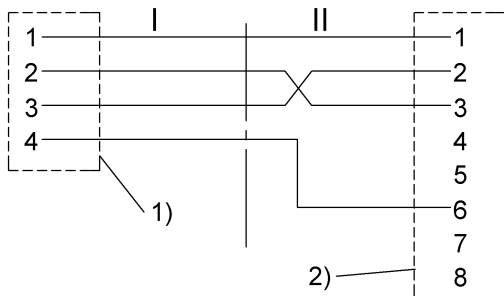
**Connector Drawings**



- II**
- PIN 1: white/orange
  - PIN 2: orange
  - PIN 3: white/green
  - PIN 4: not used
  - PIN 5: not used
  - PIN 6: green
  - PIN 7: not used
  - PIN 8: not used

- I**
- PIN 1: white/orange
  - PIN 2: white/green
  - PIN 3: orange
  - PIN 4: green

**Wiring Diagrams**



- 1) Shield on cover nut
- 2) Shield on housing